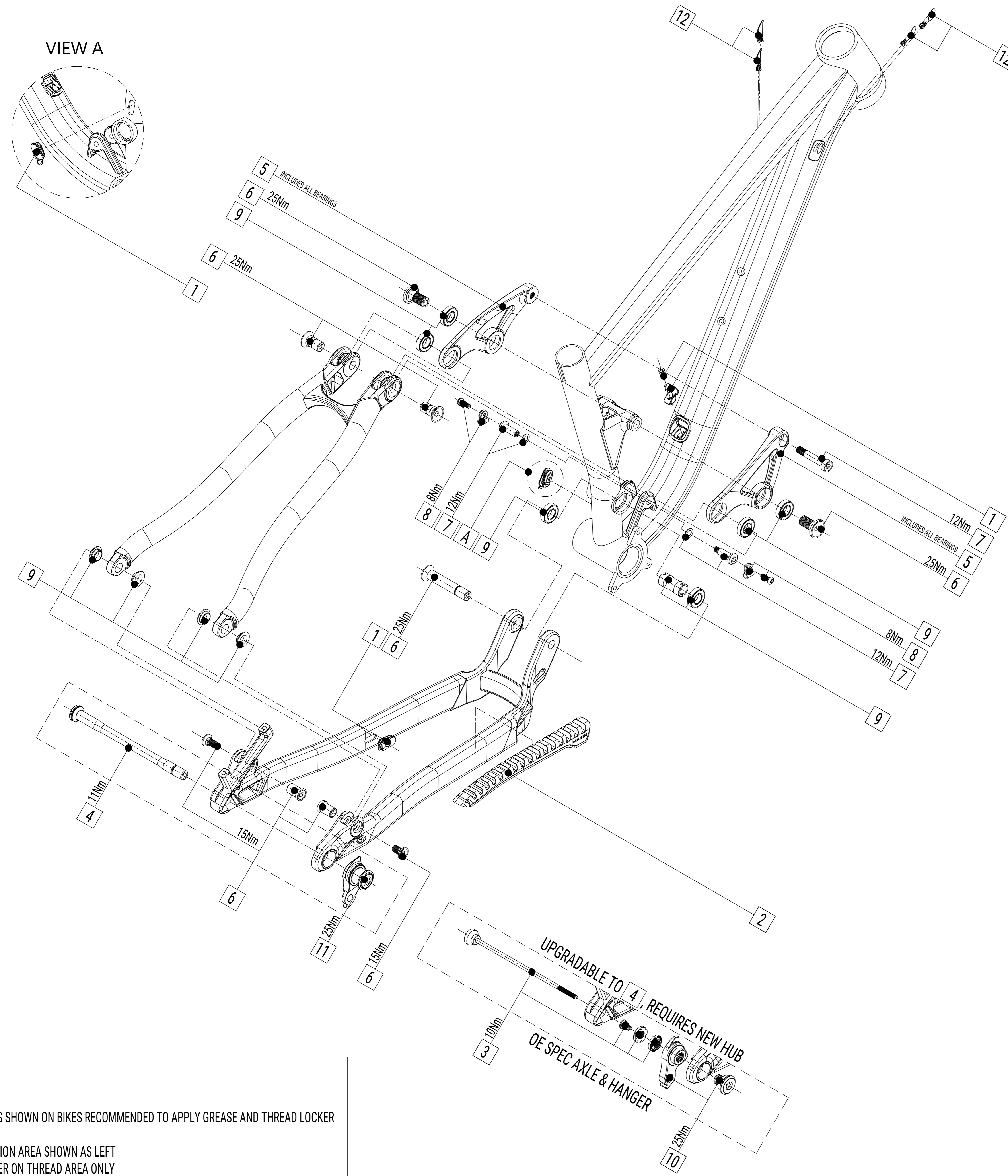


'23 RIFT ZONE Jr. & 26

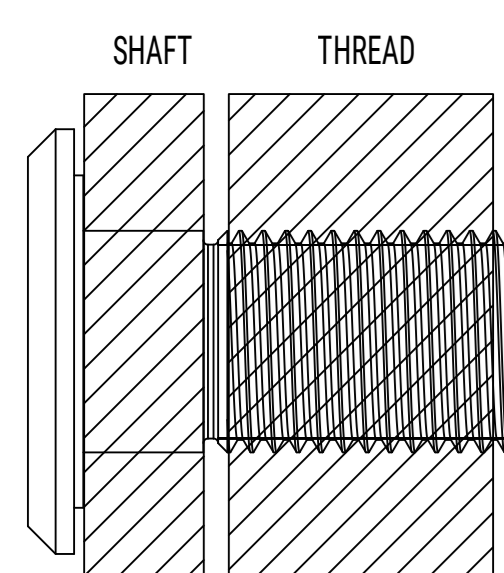


SERVICE PARTS

NO.	ARTICLE CODE	DESCRIPTION	NOTES
1	736026	PLASTIC EXIT HOLE CABLE CLAMP	
2	736027	RIFT ZONE V3 CS PROTECTOR, VLF-C-1483	
3	736029	CLOSED 9 TO 12 BOLT ON AXLE KIT 141-148, TAPERED HEAD	OE SPEC
4	736031	148x12 BOLT ON AXLE, 174MM LENGTH, TAPERED HEAD	AFTERMARKET UPGRADE, REQUIRES NEW HUB
5	736032	RIFT ZONE V3 ROCKER LINK	
6	736033	PIVOT BOLT KIT H	
7	736034	SHOCK BOLT KIT H	
8	736035	P-CLIP CABLE HOLDER	
9	726902 726910	BEARING KIT A + IGUS BUSHING	
10	737016	HANGER #55, WITH BOLT	OE SPEC
11		SRAM UDH PN: 00.7918.089.000	
12	736334	SNAP IN RUBBER PLUG KIT	INCLUDES: 4MM_VLD-11286 5MM_VLD-11287 QTY:2 pcs QTY:2 pcs

TECHNICAL DATA

FORK AXLE TO CROWN	OE SPEC: 500	MAX: 510
REAR WHEEL TRAVEL	130MM	
TIRE COMPATIBILITY	FRONT: 2.6'	REAR: 2.6'
HEADSET DIM	UPPER: ZS44	LOWER: ZS56
SHOCK INFO	EZE: 190	STROKE: 45
SHOCK HARDWARE	UPPER: 25xM8	LOWER: 25xM8
SEATPOST DIAMETER	30.9MM	
SEAT COLLAR DIAMETER	34.9MM	
CHAINLINE	52-55MM	
REAR BRAKE MOUNT	POST MOUNT 180MM	
REAR AXLE	141 Bolt-On Closed 19-12 (Stock) / Upgradable to 148x12	
BEARING SPEC	6901V2RS IGUS PN: JFM-1214-05	12X24X6 12X14X5 QTY: 6 QTY: 4



CAUTION

FOR ALL BOLTS SHOWN ON BIKES RECOMMENDED TO APPLY GREASE AND THREAD LOCKER

THE APPLICATION AREA SHOWN AS LEFT
THREAD LOCKER ON THREAD AREA ONLY
GREASE ON SHAFT AREA ONLY

FOR THOSE BOLTS WITHOUT SHAFT, THREAD LOCKER NEEDED ONLY.

REAM DEPTH: 185MM

MARIN

BIKES CALIFORNIA